

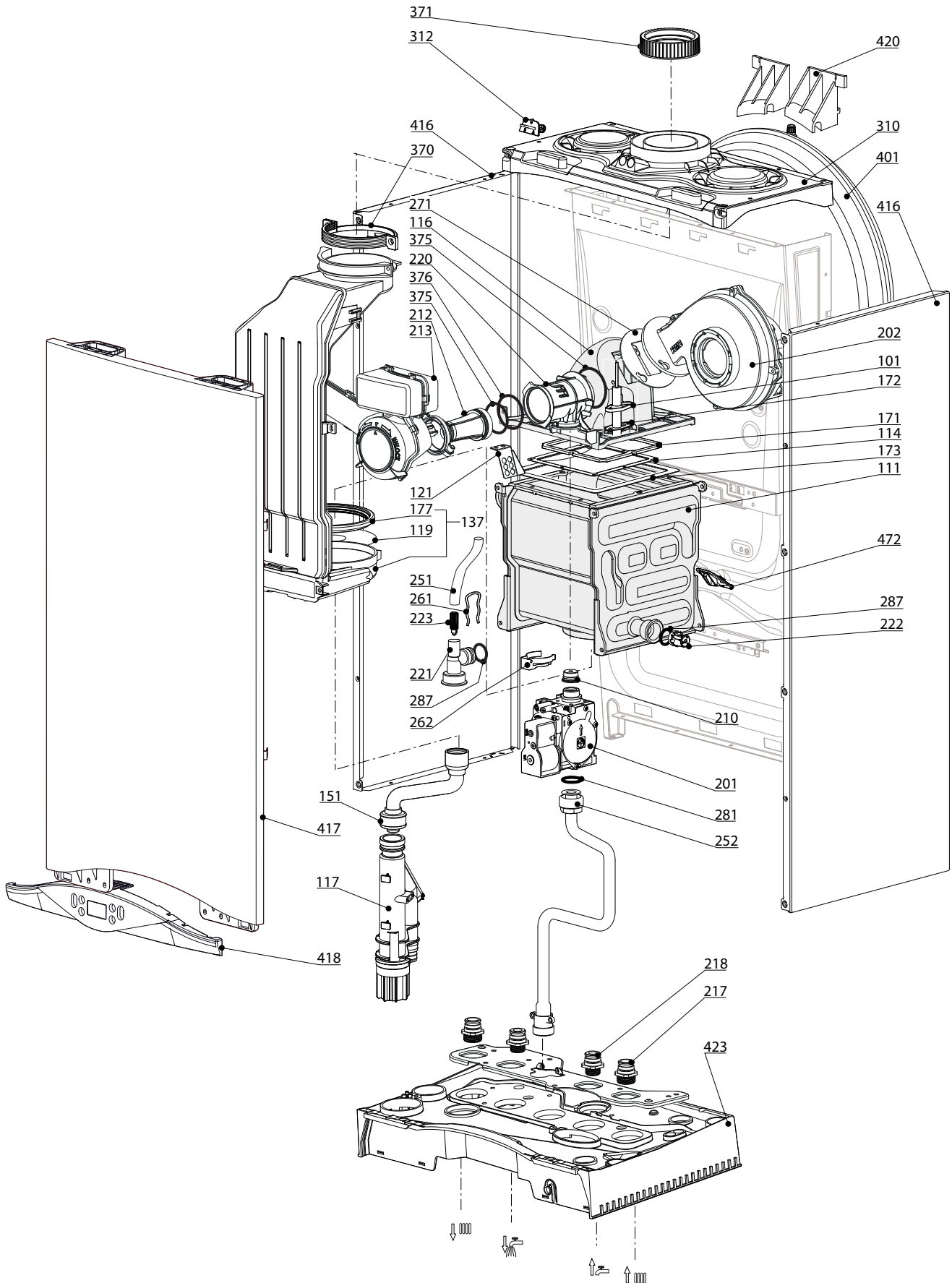
SPARE PARTS EXPLODED VIEW GAS-WALL CONDENSING BOILERS

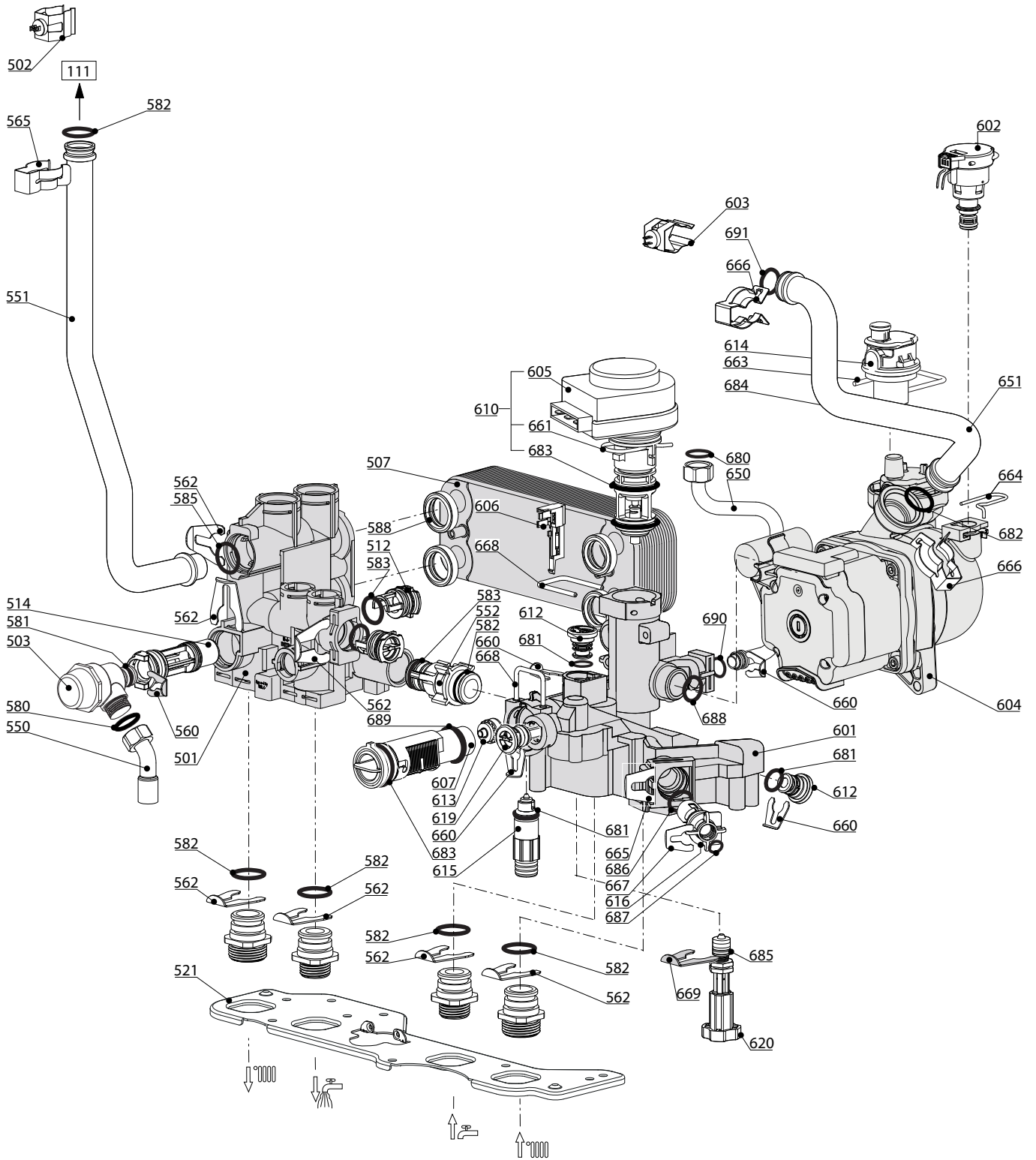
Model

CARES PREMIUM

R8203411-03 - 22/11/2016

1	3300659	CARES PREMIUM 24KW NG		
2	3300759	CARES PREMIUM 24 EU	09-2015	-
3	3300760	CARES PREMIUM 30 EU	09-2015	-
Col	Reference	Model type	Begin	End



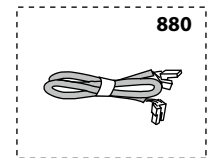
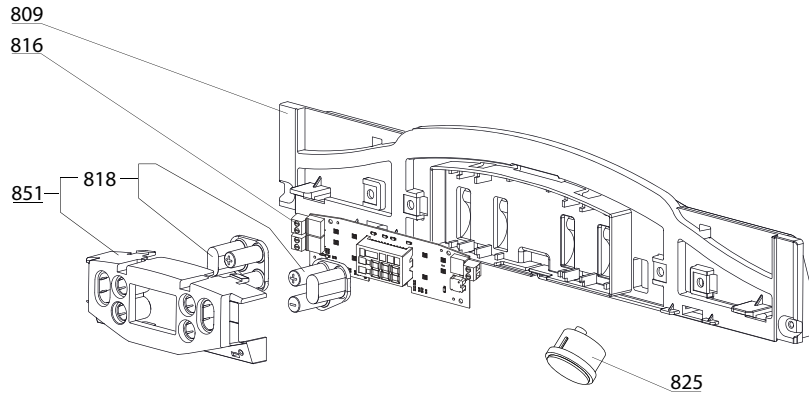
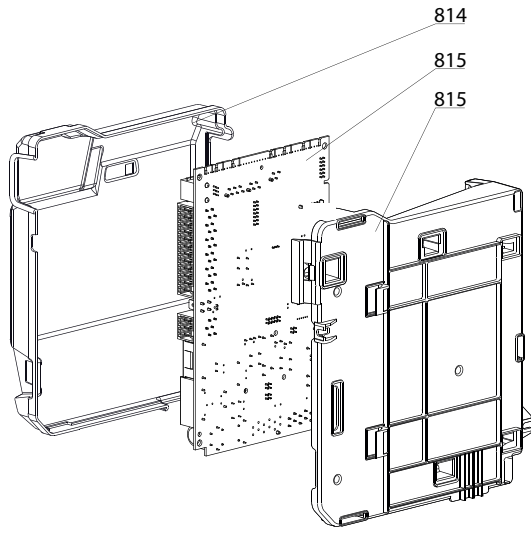


CARES PREMIUM 24
 CARES PREMIUM 24 EU
 CARES PREMIUM 30 EU

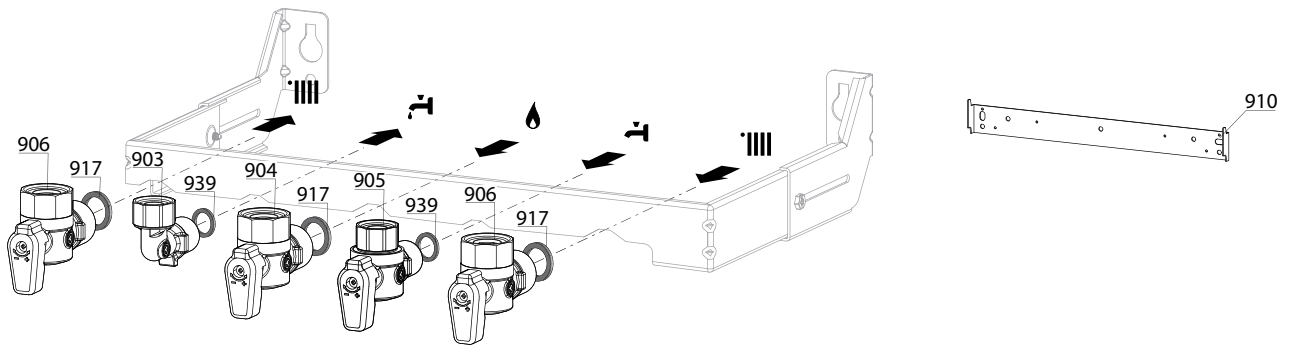
31

Description		Manf. Pt. N	Type	31																			
				1	2	3	4	5	6	7	8	9	10	11	12	13	14	15	16	17	18	From	to
0500	FLOW GROUP																						
0501	FLOW GROUP	60001953		●	●	●																	
0502	TEMPERATURE PROBE + CLIP	65114227		●	●	●																	
0503	PRESSURE RELIEF VALVE (3 BAR)	61312668		●	●	●																	
0507	SANITARY HEAT EXCHANGER (12 P.)	65116314		●	●	●																	
0512	PLUG	65104445		●	●	●																	
0514	BY-PASS	65104336		●	●	●																	
0521	HYDRAULIC GROUP SUPPORT	65114219		●	●	●																	
0551	HEATING FLOW BEND	65114245		●	●																		
	HEATING FLOW BEND	65115156				●																	
0552	BY-PASS PIPE	65104340		●	●	●																	
0560	CLIP Ø 10	65104260		●	●	●																	
0562	CLIP D:18	65104259		●	●	●																	
0565	CLIP	60000309		●	●	●																	
0581	O-RING 17.96X2.62	65104337		●	●	●																	
0582	O-RING 17.86X2.62	61308091		●	●	●																	
0583	O-RING 15.54X2.62	65104325		●	●	●																	
0585	O-RING 17.04X3.53	65104262		●	●	●																	
0588	EXCHANGER GASKET	65104334		●	●	●																	
0600	RETURN GROUP																						
0601	RETURN GROUP	65104335		●	●	●																	
0602	LOW PRESSURE SWITCH	65105090		●	●	●																	
0603	TEMPERATURE PROBE + CLIP	65114227		●	●	●																	
0604	PUMP 4M 1V WILO	60001584	WILO	●																			
	PUMP 5M PWM ENER+	60001947	ENER +		●	●																	
0605	MOTOR (3-WAY VALVE)	61302483-01		●	●	●																	
0606	SENSOR (REED)	65104323		●	●	●																	
0607	FLOW METER	65104317		●	●	●																	
0610	MOTOR + SPRING 3 WAY VALVE KIT	60001583-01		●	●	●																	
0612	PLUG	65104377		●	●	●																	
0613	RIDUCTORS (KIT)	65104318		●	●	●																	
0614	AUTO AIR VENT ENER+	65112086	ENER +		●	●																	
	AUTO AIR VENT WITH O-RING WILO	65104703	WILO	●																			
0615	KIT DRAIN SCREW	60001385		●	●	●																	
0616	WATER FILTER	60001372		●	●	●																	
0619	CHECK VALVE CARTRIDGE	65105323		●	●	●																	
0620	FILLING TAP KIT	65114261		●	●	●																	
0650	PIPE (EXPANSION VESSEL)	65114246		●	●	●																	
0651	HEATING RETURN TUBE	65114244		●	●																		
	HEATING RETURN TUBE	65115157				●																	
0660	CLIP Ø 10	65104260		●	●	●																	
0661	CLIP	65104332		●	●	●																	
0664	CLIP	65104322		●	●	●																	
0665	CLIP	65104331		●	●	●																	
0666	CLIP	60000309		●	●	●																	
0667	CLIP	65100680		●	●	●																	
0668	CLIP	65104316		●	●	●																	
0669	CLIP	65104339		●	●	●																	
0680	GASKET 3/8"	573521		●	●	●																	
0681	O-RING 9.19X2.62	65104313		●	●	●																	
0682	O-RING 17.04X3.53	65104262		●	●	●																	
0683	O-RING 23.47X2.62	65104315		●	●	●																	
0685	O-RING 7.65X1.78	65104329		●	●	●																	
0686	O-RING 15.54X2.62	65104325		●	●	●																	
0687	O-RING 5.7X1.9	61009834-10		●	●	●																	
0688	O-RING 21.89X2.62	65104320		●	●	●																	
0689	O-RING 16,5X1,6	65105180		●	●	●																	
0690	O-RING 8.9X2.7	61009834-14		●	●	●																	
0691	O-RING 17.86X2.62	61308091		●	●	●																	

800



900



5000



LIST OF THE ABBREVIATIONS

HW	: Hot water.
CW	: Cold water.
C	: Ceramic resistance (normal heating).
Ca	: Ceramic resistance (accelerated heating)
TP	: Immersion heater.
1F	: With fittings.
2F	: Without fittings.
3F	: With fittings and another outlet connection.
AMI	: With mixing valve.
SMI	: Without mixing valve.
PUISS	: Power of th appliance.
PN	: Appliance with normal pression.
LP	: Appliance with low pression.
PV	: Appliance with variable power.
PF	: Appliance with fixed power.

IDENTIFICATION PLATE

SERIAL NUMBER

10 Characters :	04 05 125 011		
		Sequential number	
		Manufacturing day	
		Year of manufacture	
11 Characters :	1 95 065004 - 31		
Month of manufacture :		Technical number of the appliance	
from 1 to 9 → Jan. to Sep.,		Sequential number	
O → Oct., N → Nov.,		Year of manufacture	
D → Dec.			
19 Characters :	08 05 0013199 900640031		
Year of manufacture		Product reference	
Month of manufacture		Sequential number	
20 Characters :	3675007 XX 2 07 070 00315		
Product reference		Sequential number	
Millenium of manufacture		Manufacturing day	
		Year of manufacture	
21 Characters :	3675007 XX 07 070 0000315		
Product reference		Sequential number	
Year of manufacture		Manufacturing day	